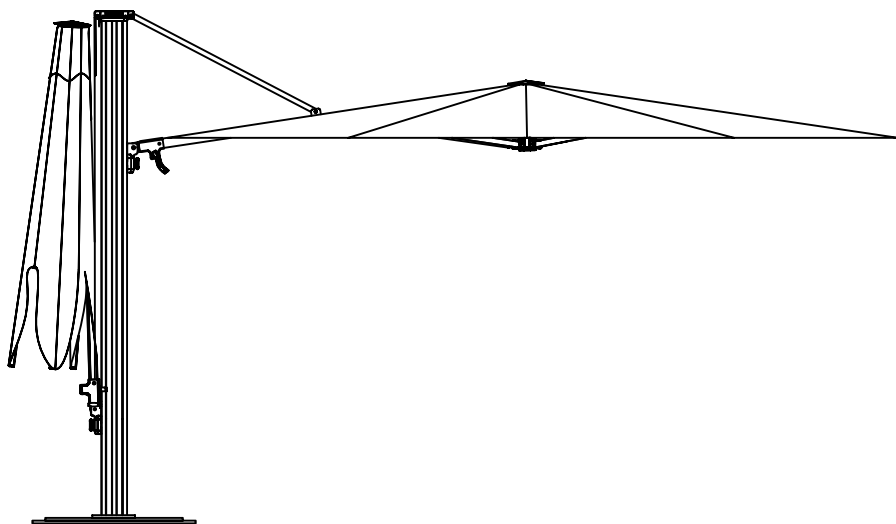


jardinico®
CARACTÈRE

JCP.6 SERIES

FREE POLE



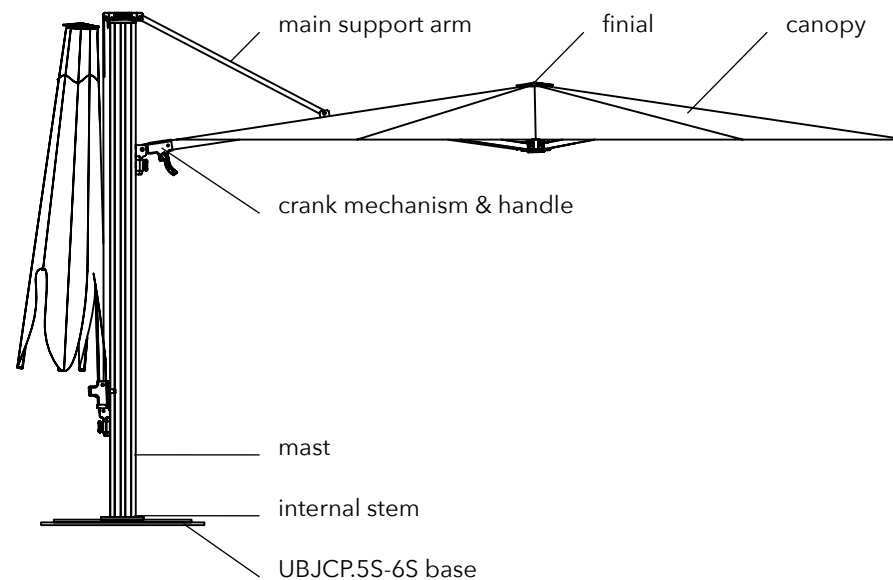
ASSEMBLY AND
OPERATION GUIDE

GENERAL GUIDELINES

- Jardinico Caractère highly recommends that no umbrella, regardless of size or weight, ever be left unattended in the open position. In windy conditions, it is further recommended that umbrellas be closed, removed from their base, and stored, or laid horizontally. This will reduce the risk of damage to your umbrella, furniture, and other belongings or property. To ensure stability of your umbrella, please observe proper placement, and use sufficient weight (base). This catalog contains minimum recommendations for necessary weight; but this can vary, depending on the conditions in your particular area.
- Sufficient base weight must be used to secure umbrellas at all times. Please see individual product pages for recommended minimum weight requirements for freestanding applications.

Note: Wind damage (or any damage caused by acts of nature) is not covered under warranty.

JCP.6 SERIES



IMPORTANT

Please read this this assembly and operation guide before installing or operating your umbrella.

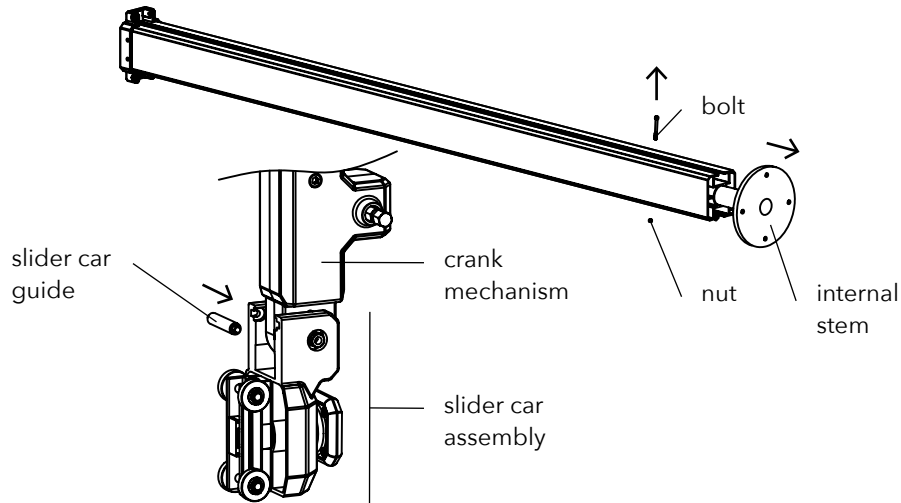
JCP.601 2* 300 x 300 cm	
	635 cm - 250"
	6 cm - 2.4"
	222.6 cm - 87.6"
	245.5 cm - 96.6"
	491.7 cm - 193.5"

ASSEMBLY INSTRUCTIONS

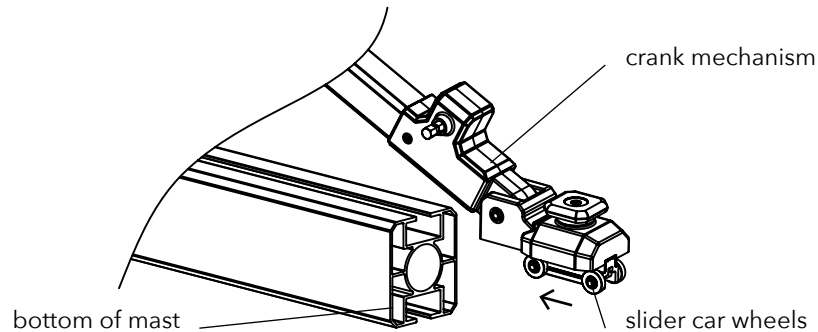
Two-person team is recommended for assembly.

ASSEMBLE CANOPY STRUCTURES

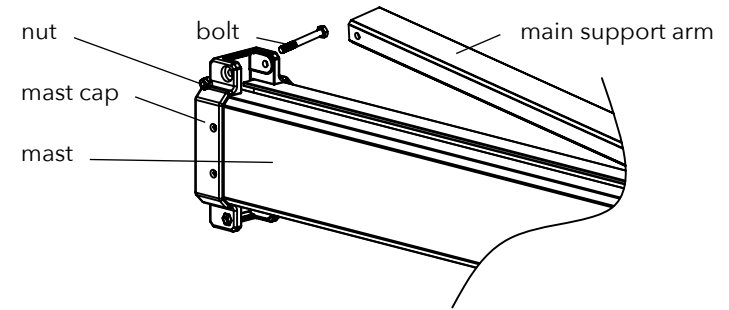
- Lay mast on soft clean surface. Remove bolt and nut from mast. Slide out internal stem from bottom of mast and set aside.



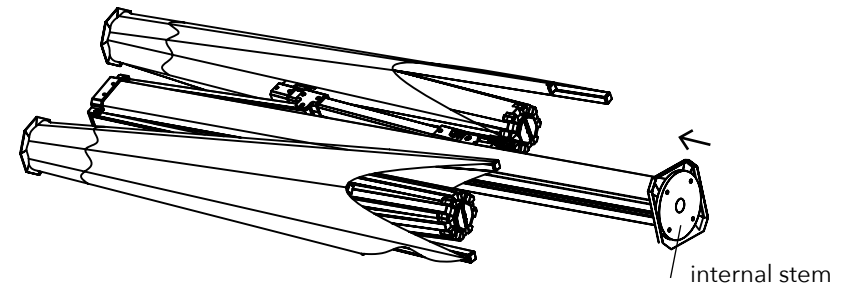
- Locate canopy structure and slider car guide. Attach slider car guide to grooves on back side of slider car assembly. Repeat step for each canopy structure purchased.
- From bottom of mast, insert slider car wheels onto 1 side of mast. Repeat for the other canopy structure.



- Attach main support arm to mast cap. Secure with bolt and nut. Repeat step as necessary.



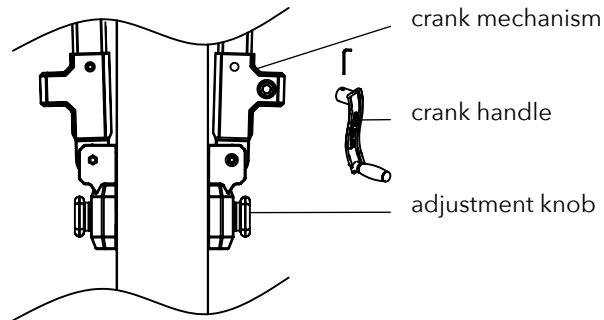
- Attach finial to top of each canopy structure.
- Slide internal stem back into bottom of mast.



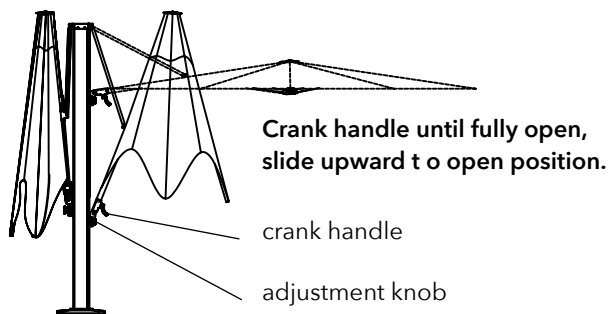
OPERATING INSTRUCTIONS

TO OPEN CANOPY

- Install crank handle onto crank mechanism.
Tighten set screw with provided hex wrench to secure in place.

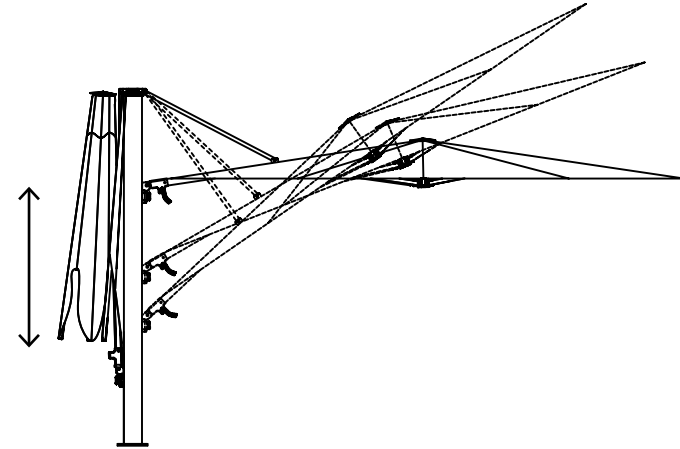


- Slightly loosen arms. **Caution:** never force the arms. If you experience any resistance, make sure all arms are freed manually to facilitate opening.
- Turn adjustment knob counter clockwise and slide car half way up mast. Tighten knob by turning clockwise to secure in place.
- Crank handle clockwise until canopy is completely open.
- Turn adjustment knob counter clockwise and slide car upward until umbrella is at a horizontal shade position. Turn adjustment knob clockwise to secure in place.
- Repeat steps per canopy structure.



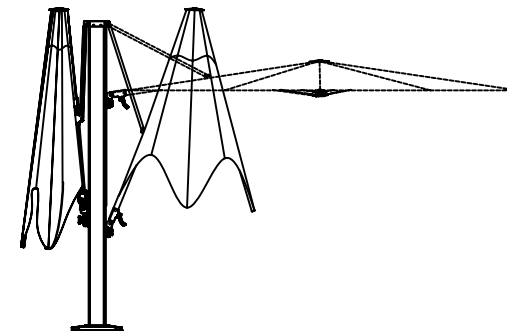
TILT FRONT / BACK

- Turn adjustment knob counter clockwise and slide car upward or downward until desired tilt degree of shade is reached. Tighten knob by turning clockwise to secure in place. Repeat step for each canopy structure, if desired.
Note: do not use tilt function during winds.



TO CLOSE CANOPY

- Turn adjustment knob counter clockwise and crank handle counter clockwise. Canopy will close and umbrella will slide down mast simultaneously by operating the crank handle. **Note:** stop turning crank when umbrella is fully closed. Failing to do so may cause damage to umbrella.
- Turn adjustment knob clockwise to secure umbrella in place.

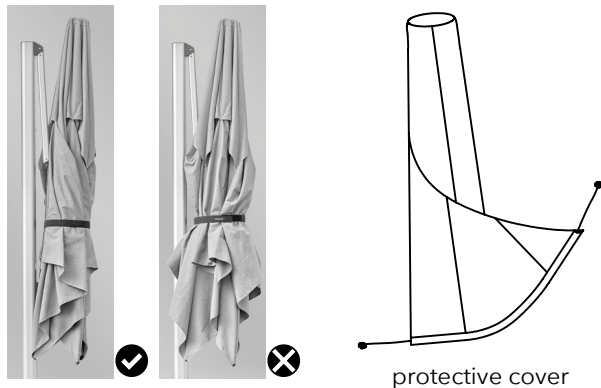


FOLD CANOPY

The 100% solution dyed canopy will last longer if you fold it as it was packed and shipped. This technique is similar to the way a parachute is folded and is especially important when folding the canopy for seasonal storage or when left in the closed position for an extended period of time.

Using this technique at all times will significantly extend the life of the canopy.

- When each canopy structure has been fully closed, stand in front of the canopy structure and begin the folding process by pulling out two panels opposite the mast.
- Once rolled tight, pull adjacent panels out one at a time and fold to the center, alternating sides until all the panels have been pulled out from the arms and folded into the center.
- Wrap tie on canopy around structure to secure. Repeat for each canopy structure.
- Wrap large provided strap around entire umbrella structure to secure together.
- When not in use, cover entire umbrella structure with provided protective cover.



MAINTENANCE

MAINTAINING THE JARDINICO CARACTÈRE FRAME AND FITTINGS

- Hose mast and frame with water periodically, more often if installation is in a salty or industrial environment.
- Inspect the installation fittings, mount bolts, rib spacers, etc. on a regular basis and tighten if necessary.
- Seaside and indoor pool use: Due to demands of both of these environments, Jardinico Caractère recommends weekly or biweekly cleaning with mild soap and water to remove the concentrated deposits and protect the powder coat finish.

MAINTAINING THE JARDINICO CARACTÈRE CANOPY FABRIC

- Clean up spills and stains right away. Spills can be removed by using a clean absorbent cloth.
- For general maintenance, use a soft brush to remove dust and dry soil. Wash down with clean, warm water (i.e., garden hose) every so often to avoid dirt becoming ingrained. Allow the fabric to air dry before closing the canopy.
- If a thorough cleaning is necessary, sponge over the fabric using a mild soap solution (2% solution). Rinse well with plenty of water to remove all soap residue.
- Never use detergents, cleaning fluids or solvents.
- Please visit the fabric websites for more details: www.jardinico.com or www.sunbrella.com
- Use protective canopy cover during storage or when not in use.

WARRANTY

Jardinico Caractère manufacturers all its shade styles from the finest aluminum alloys to ensure the strength, durability, and integrity of each and every style. We pride ourselves as a totally vertical operation. This means that we manufacture and produce over 90% of the components used in our products from the raw state. We can monitor every stage of the manufacturing process and maintain a consistent level of quality.

Our only business and focus is shade and shade type products. Our goal is that each and every Jardinico Caractère style will exceed your expectations.

5 Year Limited Warranty includes the mast, boom, head fitting, elbow, center pole, top and bottom hub, rust and corrosion on base, and stainless steel hardware only. If there is damage under the warranty, Jardinico Caractère will replace and/or repair any item listed in this category at its discretion. Labor charges are not covered under this limited warranty.

5 Year Limited Warranty covers the Sunbrella® fabrics. Visit www.sunbrella.com/warranty for more details. Labor charges are not covered under this limited warranty.

1 Year Limited Warranty covers the wheels and powder coat finish on all bases. If the powder coat finish flakes, bubbles, peels or loses colour; Jardinico Caractère will re-finish or replace the defective base at its discretion. Normal wear and tear is not covered under this limited warranty. Labor charges are not covered under this limited warranty.

EXCLUSIONS

Wind damage, acts of nature (such as, but not limited to, freezing or any type of extreme weather). Failures caused by abusive use and normal wear and tear are not covered under this warranty.

CAUTION

Seaside and indoor pool use, salt & chlorides can accumulate on the powder coat finish, leading to finish failure. Failure or neglect to make needed cleanings may cause paint to blister, and such failure will void limited warranty.

Those filing warranty claims will be responsible for all shipping, handling, and freight charges on all claims to Jardinico Caractère in Baldwin Park, CA. All warranty claims must be submitted with the original proof of purchase, date of purchase, name of dealer, and the description of the damage. The Jardinico Caractère warranty is not transferable. Jardinico Caractère reserves the right to repair, replace, and/or redesign any product that is returned under a warranty claim.

It is our policy to continuously improve designs, materials and manufacturing methods in order to provide you with the finest products. Therefore, variations in specifications, materials, prices, styles and finishes may be made without notice.

RUST

Rust is a natural part of the aging process of all steel based materials and is therefore not considered a defect. Steel bases are designed to require minimum maintenance. Bases should be kept clean. Do not let dirt build up on the bases. Never leave bases standing in water. To keep your bases looking their best, you may wish to store them when not in use for an extended period of time.

It is our policy to continuously improve designs, materials and manufacturing methods in order to provide you with the finest products. Therefore, variations in specifications, materials, prices, styles and finishes may be made without notice.

Those filing warranty claims will be responsible for all shipping, handling, and freight charges on all claims to Jardinico in Baldwin Park, CA. All warranty claims must be submitted with the original proof of purchase, date of purchase, name of dealer, and the description of the damage. The Jardinico warranty is not transferable. Jardinico reserves the right to repair, replace, and/or redesign any product that is returned under a warranty claim.

SEASIDE & INDOOR POOL USAGE

Seaside and indoor pool use, salt & chlorides can accumulate on the powder coat finish, leading to finish failure. Failure or neglect to make needed cleanings may cause paint to blister, and such failure will void limited warranty.

IRREGULARITIES IN PRODUCTION PROCESS

The possibility of "Irregularities" in the product surface may occur during the production process. However, these irregularities do not reduce the quality of the product. Jardinico monitors every stage of production to ensure a clean and consistent appearances on every part.



© 2021 Jardinico® - All rights reserved.

jardinico[®]

CARACTÈRE

www.jardinico.com