



# JCP.4 SERIES

- ✓ Full aluminium frame.
- ✓ Despite its weight of 305 kg, an elegant appearance. (incl. base)
- ✓ Variations in sizes, finishes and colours.
- ✓ Ideal for a lounge setting or over long dining tables.
- ✓ Belgian design.

360°

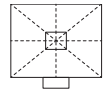


Four series is home to a variety of environments all over the world, both for private use and large projects such as hotels, public buildings, resorts and pool areas. An exceptionally sturdy outdoor sunshade with an elegant and luxurious appearance. Supported by a 245 kg base and its dimensions, this series is the perfect marriage between Belgian design, enormous strength and guaranteed quality. Every model offers a great deal of shade and is easy to operate and maintain. Choose a colour that expresses your style and personality.

- FRAME** Free pole umbrella with crank handle. Pole & ribs are aluminium powder coated.  
Pole profile: 100 x 100 x 3,6 mm, 3,9 x 3,9 x 0,1".  
Ribs profile: 32 x 32 x 1,6 mm, 1,2 x 1,2 x 0,06".
- CANOPY** 320g/m<sup>2</sup> Sunbrella® Plus, 100% solution dyed acrylic.
- BASE** Hot galvanized and powder coated steel plates.
- TILT & ROTATION** Tilt in height and can rotate 360° around its pole.
- WIND SPEED** 58 km/h, 36 mph - Maximum wind speed to which the umbrella may be exposed.



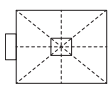
JCP.401  
370 x 370 cm



JCP.402  
425 x 300 cm



JCP.403  
ø 400 cm



JCP.404  
250 x 350 cm

**jardinico®**  
CARACTÈRE

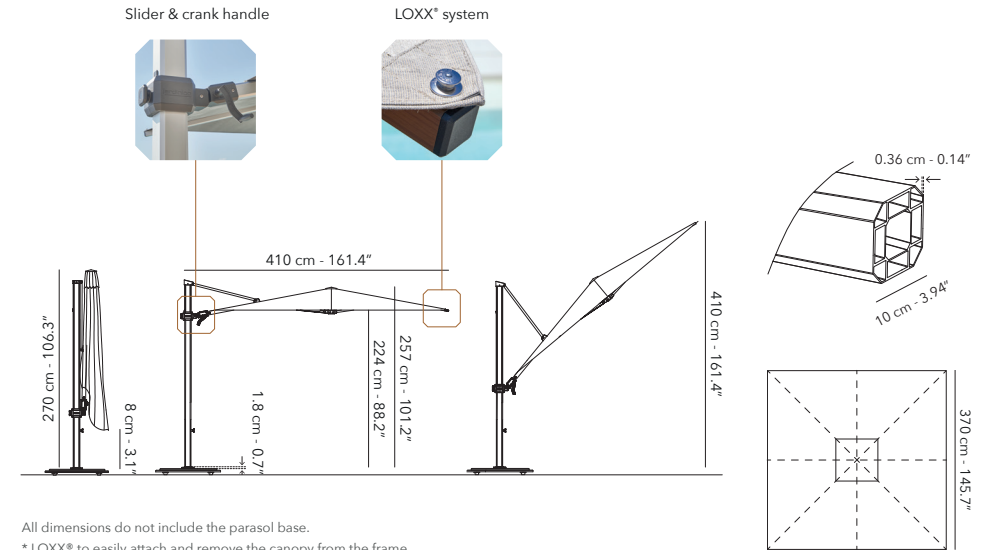
FRAME



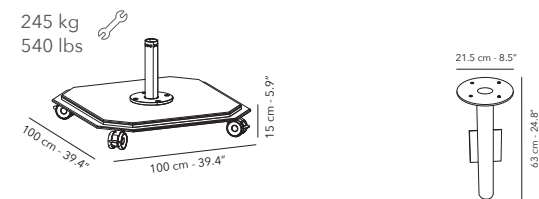
CANOPY



JCP.401 - 370 x 370 cm	Weight net	Weight gross	Packaging CBM / CCF	Units
UMBRELLA FRAME & CANOPY	64 kg 141.1 lbs	67 kg 147.7 lbs	275 x 50 x 28 cm 108.3 x 19.7 x 11"	1
<b>UFJCP.401</b> FRAME ONLY INCL. PROTECTION COVER	59 kg	60 kg	275 x 50 x 28 cm 108.3 x 19.7 x 11"	1
<b>UCJCP.401</b> CANOPY ONLY	5 kg 11 lbs	7 kg 15.4 lbs	60 x 46 x 11 cm 23.6 x 18.1 x 4.3"	1
<b>UBJCP.4S</b> BASE	245 kg 540 lbs	254 kg 560 lbs	103 x 103 x 17 cm 40.6 x 40.6 x 6.7"	1
<b>UBIGB-JCP.4S-5S-6S</b> IN GROUND BASE	8.5 kg 18.7 lbs	10 kg 22 lbs	27 x 64 x 27 cm 10.6 x 25.2 x 10.6"	1
<b>UBOGB-JCP.4S-5S-6S</b> ON GROUND BASE	6.5 kg 14.33 lbs	7 kg 15.4 lbs	27 x 27 x 6 cm 10.6 x 10.6 x 2.4"	1
<b>UPJCP.4S-X77</b> PROTECTION COVER	0.8 kg 1.8 lbs	1 kg 2.2 lbs	17 x 48 x 4 cm 6.7 x 18.9 x 1.6"	1

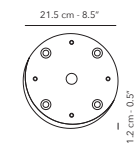


All dimensions do not include the parasol base.  
\* LOXX® to easily attach and remove the canopy from the frame.



BASE

- Base with four wheels that rotate 360°, each with a brake to secure the umbrella.
- Has the same colour as the frame.
- We provide a charcoal parasol base for a frame in alu teak and cappuccino.



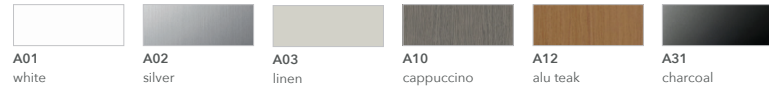
IN GROUND BASE

Anchored in the ground with concrete. Fixed and cannot be moved.

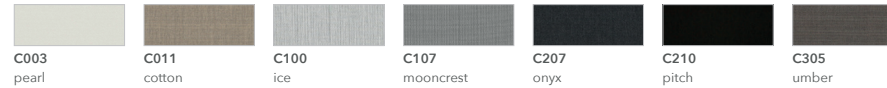
FLOOR FIXING PLATE

Anchored in the ground with concrete. Fixed and cannot be moved.

FRAME

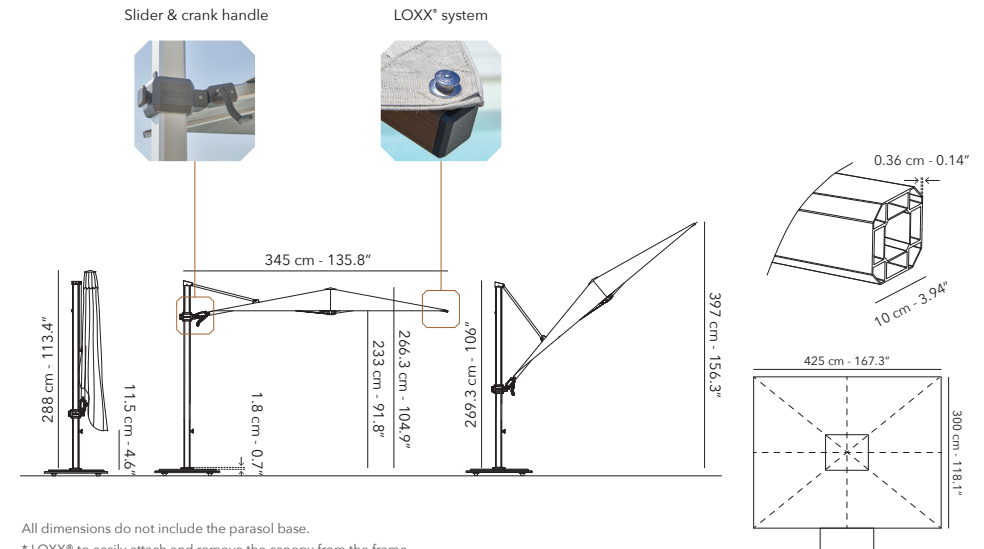
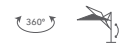


CANOPY



402

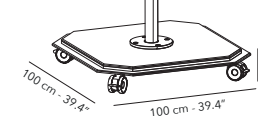
JCP.402 - 300 x 425 cm	Weight net	Weight gross	Packaging CBM / CCF	Units
UMBRELLA FRAME & CANOPY	53 kg 116.8 lbs	56 kg 123.5 lbs	275 x 50 x 28 cm 108.3 x 19.7 x 11"	1
UFJCP.401 FRAME ONLY INCL. PROTECTION COVER	48 kg	49 kg	275 x 50 x 28 cm 108.3 x 19.7 x 11"	1
UCJCP.401 CANOPY ONLY	5 kg 11 lbs	7 kg 15.4 lbs	60 x 46 x 11 cm 23.6 x 18.1 x 4.3"	1
UBJCP.4S BASE	245 kg 540 lbs	254 kg 560 lbs	103 x 103 x 17 cm 40.6 x 40.6 x 6.7"	1
UBIGB-JCP.4S-5S-6S IN GROUND BASE	8.5 kg 18.7 lbs	10 kg 22 lbs	27 x 64 x 27 cm 10.6 x 25.2 x 10.6"	1
UBOGB-JCP.4S-5S-6S ON GROUND BASE	6.5 kg 14.33 lbs	7 kg 15.4 lbs	27 x 27 x 6 cm 10.6 x 10.6 x 2.4"	1
UPJCP.4S-X77 PROTECTION COVER	0.8 kg 1.8 lbs	1 kg 2.2 lbs	17 x 48 x 4 cm 6.7 x 18.9 x 1.6"	1



All dimensions do not include the parasol base.  
\* LOXX® to easily attach and remove the canopy from the frame.

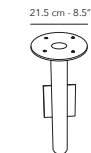


245 kg  
540 lbs



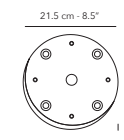
BASE

- Base with four wheels that rotate 360°, each with a brake to secure the umbrella.
- Has the same colour as the frame. We provide a charcoal parasol base for a frame in alu teak and cappuccino.



IN GROUND BASE

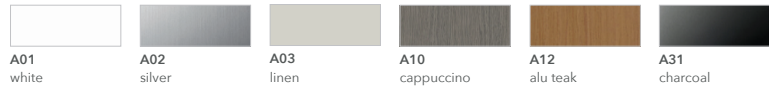
Anchored in the ground with concrete. Fixed and cannot be moved.



FLOOR FIXING PLATE

Anchored in the ground with concrete. Fixed and cannot be moved.

FRAME

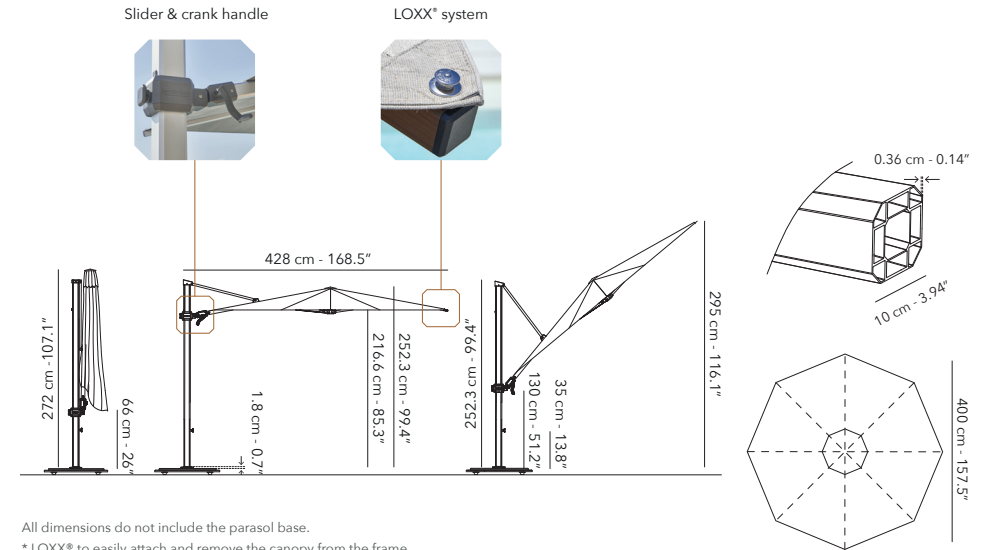
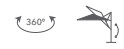


CANOPY

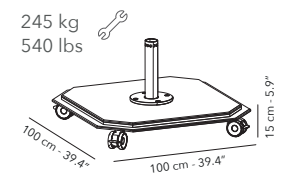


403

JCP.403 - ø 400 cm	Weight net	Weight gross	Packaging CBM / CCF	Units
UMBRELLA FRAME & CANOPY	53 kg 116.8 lbs	56 kg 123.5 lbs	275 x 50 x 28 cm 108.3 x 19.7 x 11"	1
<b>UFJCP.403</b> FRAME ONLY INCL. PROTECTION COVER	48 kg	49 kg	275 x 50 x 28 cm 108.3 x 19.7 x 11"	1
<b>UCJCP.403</b> CANOPY ONLY	5 kg 11 lbs	7 kg 15.4 lbs	60 x 46 x 11 cm 23.6 x 18.1 x 4.3"	1
<b>UBJCP.45</b> BASE	245 kg 540 lbs	254 kg 560 lbs	103 x 103 x 17 cm 40.6 x 40.6 x 6.7"	1
<b>UBIGB-JCP.4S-5S-6S</b> IN GROUND BASE	8.5 kg 18.7 lbs	10 kg 22 lbs	27 x 64 x 27 cm 10.6 x 25.2 x 10.6"	1
<b>UBOGB-JCP.4S-5S-6S</b> ON GROUND BASE	6.5 kg 14.33 lbs	7 kg 15.4 lbs	27 x 27 x 6 cm 10.6 x 10.6 x 2.4"	1
<b>UPJCP.4S-X77</b> PROTECTION COVER	0.8 kg 1.8 lbs	1 kg 2.2 lbs	17 x 48 x 4 cm 6.7 x 18.9 x 1.6"	1

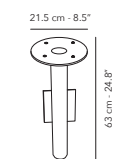


All dimensions do not include the parasol base.  
\* LOXX® to easily attach and remove the canopy from the frame.



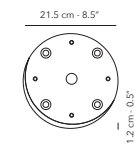
BASE

- Base with four wheels that rotate 360°, each with a brake to secure the umbrella.
- Has the same colour as the frame. We provide a charcoal parasol base for a frame in alu teak and cappuccino.



IN GROUND BASE

Anchored in the ground with concrete. Fixed and cannot be moved.



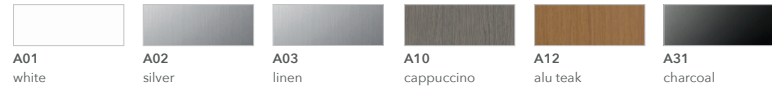
FLOOR FIXING PLATE

Anchored in the ground with concrete. Fixed and cannot be moved.

The reproduction of colours, measurements and weights may differ from reality.



FRAME

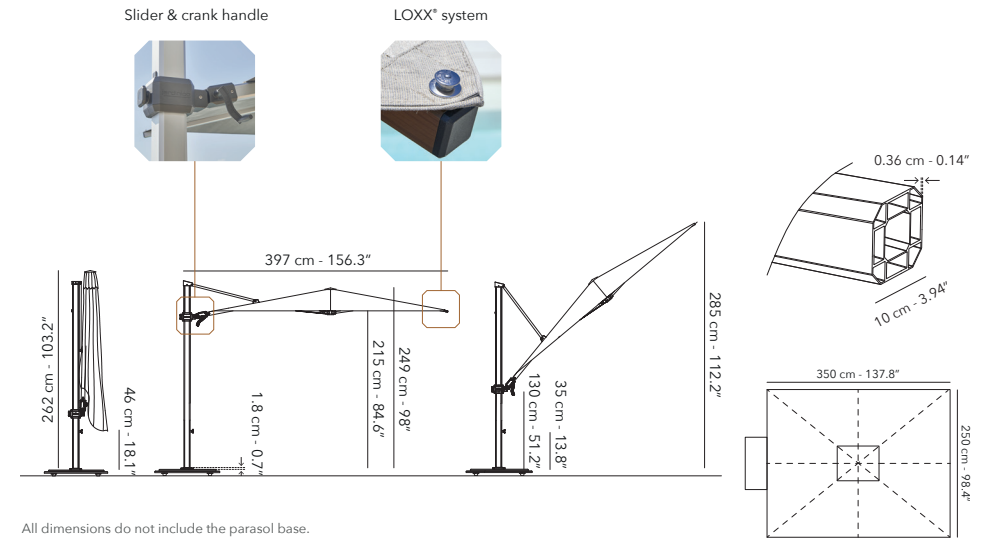
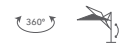


CANOPY

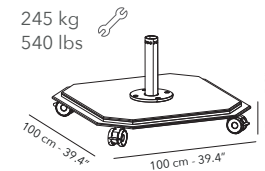


404

JCP.404 - 250 x 350 cm	Weight net	Weight gross	Packaging CBM / CCF	Units
UMBRELLA FRAME & CANOPY	60 kg 132.3 lbs	63.5 kg 140 kg	275 x 50 x 28 cm 108.3 x 19.7 x 11"	1
<b>UFJCP.404</b> FRAME ONLY INCL. PROTECTION COVER	55 kg 121.3 lbs	56.5 kg 124.6 lbs	275 x 50 x 28 cm 108.3 x 19.7 x 11"	1
<b>UCJCP.404</b> CANOPY ONLY	5 kg 11 lbs	7 kg 15.4 lbs	60 x 46 x 11 cm 23.6 x 18.1 x 4.3"	1
<b>UBJCP.4S</b> BASE	245 kg 540 lbs	254 kg 560 lbs	103 x 103 x 17 cm 40.6 x 40.6 x 6.7"	1
<b>UBIGB-JCP.4S-5S-6S</b> IN GROUND BASE	8.5 kg 18.7 lbs	10 kg 22 lbs	27 x 64 x 27 cm 10.6 x 25.2 x 10.6"	1
<b>UBOGB-JCP.4S-5S-6S</b> ON GROUND BASE	6.5 kg 14.33 lbs	7 kg 15.4 lbs	27 x 27 x 6 cm 10.6 x 10.6 x 2.4"	1
<b>UPJCP.4S-X77</b> PROTECTION COVER	0.8 kg 1.8 lbs	1 kg 2.2 lbs	17 x 48 x 4 cm 6.7 x 18.9 x 1.6"	1

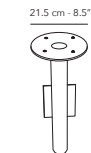


All dimensions do not include the parasol base.  
\* LOXX® to easily attach and remove the canopy from the frame.



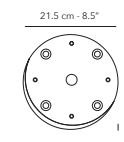
BASE

- Base with four wheels that rotate 360°, each with a brake to secure the umbrella.
- Has the same colour as the frame.
- We provide a charcoal parasol base for a frame in alu teak and cappuccino.



IN GROUND BASE

Anchored in the ground with concrete. Fixed and cannot be moved.



FLOOR FIXING PLATE

Anchored in the ground with concrete. Fixed and cannot be moved.

To enhance the durability and appearance, we recommend following our care instructions regularly.

The umbrella should never be used in strong wind or rainy conditions. An open umbrella should never be left unattended. The umbrella should be protected against blurring or damage by using its protection cover. The protection cover can be placed over the umbrella and pole. Store the umbrella in a dry place when not in use.

## FRAME & BASE

Clean the aluminium frame with a damp cloth, mild soap and water. Do not use any sharp tool to avoid scratches.


## CANOPY

Before use, you can apply an invisible film to make the canopy stain and water repellent by using a textile protector. You can maintain and clean your canopy by following a few simple steps:

- Brush off loose dirt before it becomes embedded in the fabric.
- Hose down.
- Spot clean soon after stains occur with water and mild soap or a textile cleaner (no detergents). Use a soft bristle brush to clean.
- Allow soap to soak in.
- Rinse thoroughly.
- Always let the canopy air dry completely before storing or covering.

Machine wash in cold water. Depending on wash load size, use normal amounts of mild laundry detergent and add 1 cup of bleach. Allow fabric to air dry.

NEVER SUBJECT TO EXCESSIVE HEAT, STEAM PRESS OR TUBLE DRY AS THE FABRIC WILL SHRINK.

		Weight net	Weight gross	Packaging CBM / CCF	Units
	<b>SPCOR-12ML CORRECTOR PEN</b> A01 white, A03 linen, A31 charcoal or A32 black	48 g 0.11 lbs	53 g 0.12 lbs	3 x 7 x 3 cm 1.2 x 2.8 x 1.2"	1
	<b>PT000388 FABRIC MAINTENANCE KIT</b> Includes 2 scrubbing sets, 3 application cloths, textile protector 750 ml, textile cleaner 750 ml	1.7 kg 3.7 lbs	1.9 kg 4.2 lbs	21 x 28 x 10.5 cm 8.3 x 11 x 4.2"	1



MADE FOR **SHADE &**  
**OUTDOOR LIVING.**

[www.jardinico.com](http://www.jardinico.com)